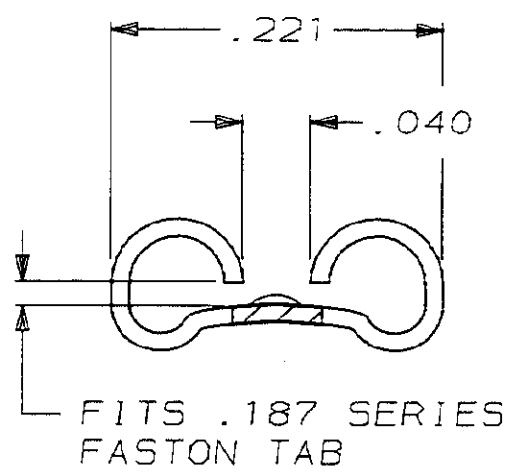
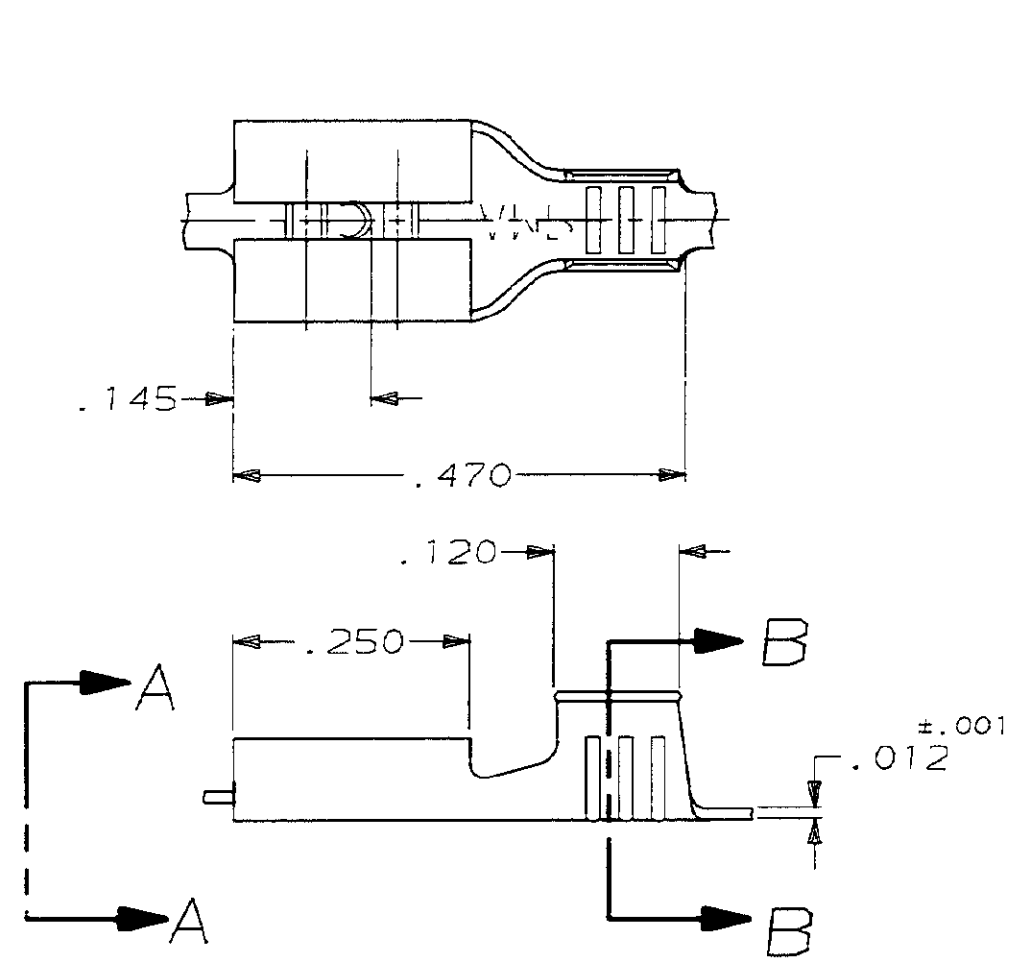


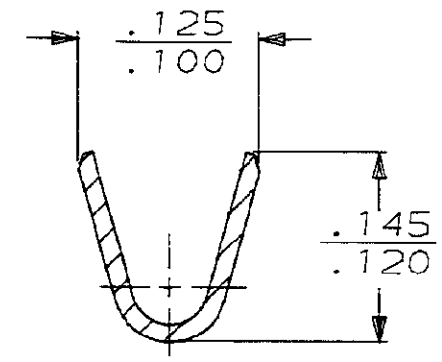
THIS DRAWING IS UNPUBLISHED. RELEASED FOR PUBLICATION .19
 © COPYRIGHT 19 BY AMP INCORPORATED. ALL INTERNATIONAL RIGHTS RESERVED.

LOC	DIST			REVISIONS		
AF	50	P	F	ZONE	LTR	DESCRIPTION
					K	REDRAWN
						DATE
						7/14/89
						APPD
						JR/CM



VIEW A-A
SCALE 8:1

1 CONTINUOUS STRIP ON REELS



SECTION B-B
SCALE 8:1

OBSOLETE

NICKEL	#2H STEEL	20-16	.020	42373-3
TIN	#4H BRASS	20-16	.020	42373-2
-	#4H BRASS	20-16	.020	42373-1
FINISH	MATERIAL	WIRE SIZE	MATING TAB THK ±.001	PART NO

.188	F	.090	.060	16
			.053	18
			.049	20
STRIP LENGTH ±.015	TYPE	WIDTH	±.002 HEIGHT	WIRE
WIRE BARREL CRIMP				

DO NOT SCALE PRINT. UNLESS SPECIFIED DIMENSIONS IN mm (INCHES) TOLERANCES ON:	DR 7/14/89 JR RUTH
2 PLC DEC ± -	CHK 7/14/89 MS FEHER
3 PLC DEC ± .015	APPD 7/14/89 C MEYERS
ANGLES ± -	APPD 7/14/89 R KUZO
MATERIAL	PRODUCT SPEC
SEE TABLE	-
FINISH	APPLICATION SPEC
SEE TABLE	-
	WEIGHT
	-

AMP INCORPORATED Harrisburg, Pa. 17105		
NAME RECEPTACLE, FASTON™ .187 SERIES		
SIZE B	CAGE CODE 00779	DRAWING NO 42373
SCALE 5:1	SHEET 1 OF 1	